

PRESS ASSEMBLY

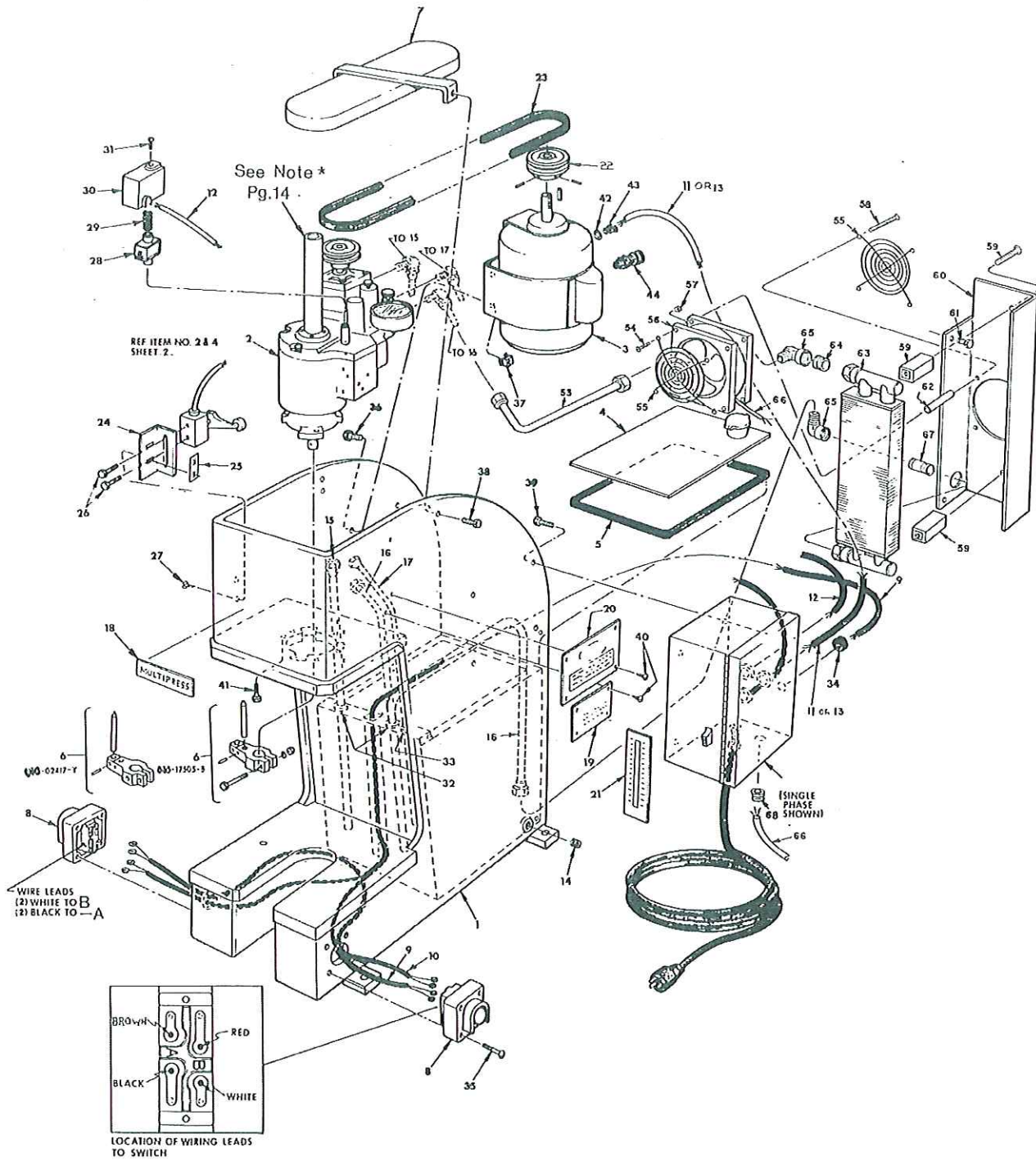


Figure 4

SD-00925

PRESS ASSEMBLY PARTS LIST

ITEM	PART NO.	DESCRIPTION	QUANTITY	1	2
				T	T
				O	O
				N	N
1	030-46781	Frame-Press	1		
	030-46782	Frame-Press		1	
	010-24816	Powerhead Assembly (With Positive Stop)	1		
	010-24817	Powerhead Assembly (Without Positive Stop)	1		
2	010-24818	Powerhead Assembly (Without Positive Stop)	1		
	010-24819	Powerhead Assembly (With Positive Stop)	1		
	135-70001	Motor-Elect. ¾ H.P. @ 1725 RPM, 115 V - 1Ph.-60Hz.	1	1	
3	135-70000	Motor-Elect. ½ H.P. @ 1725 RPM, 230/460V-3Ph.-60Hz.	1	1	
4	010-13574	Reservoir Cover Assembly	1	1	
5	606-20391	Reservoir Cover ; Mounting Strip	1	1	
6	010-17505	Ram Guide Assembly	1		
	010-02417	Ram Guide Assembly	1		
7	010-17500	Belt Guird Assembly	1		
	010-17503	Belt Guird Assembly	1		
8	010-14172	Pushbutton Assembly	2	2	
9	010-14178	Pushbutton Cable Assembly	1	1	
10	010-24779	Pushbutton Cable Assembly	1	1	
11	010-49117	Motor Cable Assembly (Single Phase)	1	1	
12	030-90735	Solenoid Cable Assembly	1	1	
13	030-49035	Motor Cable Assembly (3 Phase)	1	1	
14	431-90400	Plug-Soc. Pipe, ¼" NPTF	1	1	
15	030-20067	Tube-Pump Suction	1	1	
16	030-20068	Tube-Tank Return	1		
	010-48589	Assy, Tube (Cooler to Reservoir)	1		
17	030-21532	Tube-Drain	1	1	
18	030-18823	Plate-Insigna	1	1	
19	030-10131	Name Plate	1	1	
20	030-48097	Warning Plate	1	1	
21	030-43166	Pressure Gauge Conversion Plate	1		
	030-42873	Pressure Gauge Conversion Plate	1		
22	030-21242	Pulley-Motor	1	1	
	219-60001	Belt-"V" Type, "A" Section	1	1	
23	219-65004	Belt-"V", "A" Section (50Hz Elect)	1	1	
24	030-49458	Limit Switch Mounting Bracket	1	1	
25	340-00032	Fastener	1	1	
26	359-09080	Screw-S.H.C. #10-32 UNF x ½" Lg.	2	2	
27	357-00003	Screw-S.H.M. #10 x 1" Lg.	2	2	
28	120-08116	Solenoid	1	1	
29	030-18817	Solenoid Spring	1	1	
30	030-18821	Solenoid Cover	1	1	
31	310-08060	Screw-R.H.M. #8-32 UNC x ¾" Lg.	1	1	
32	606-20559	Grommet	2	2	
33	606-20614	Grommet	1	1	
34	129-25009	Gable Grip	1	1	
35	320-65014	Screw-O.H.P.H. #8-32 x 1¼" Lg.	8	8	
36	306-12120	Screw-H.H.C. ½"-2 UNC x ¾" Lg.	4	4	
37	341-12005	Nut-Retainer, ¼"-20 UNC	4	4	
38	306-14120	Screw-H.H.C. 5/16-18 UNC x ¾" Lg.	3	3	
39	306-12080	Screw-H.H.C. ½"-20 UNC x ½" Lg.	4	4	
40	320-10204	Screw-Drive #2 x ¼" Lg.	8	8	
41	358-14160	Screw-H.H.C. 5/16-18 UNC x 1" Lg.	3		
	358-16160	Screw-S.H.C. ¾"-16 UNC x 1" Lg.	3		

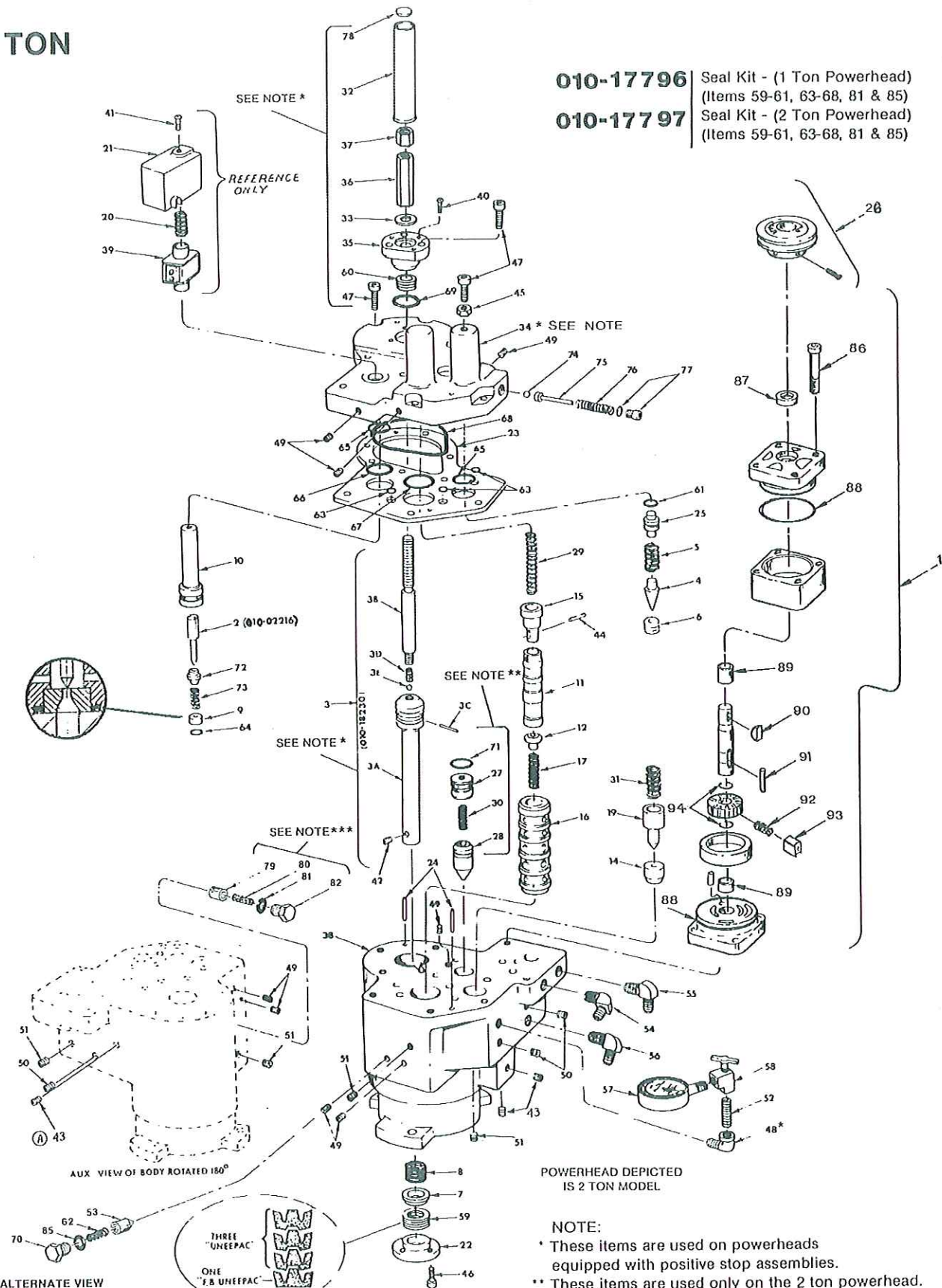
ITEM	PART NO.	DESCRIPTION	QUANTITY	1	2
				T	T
				O	O
				N	N
42	128-09051	Fitting-Flex. Conduit	1	1	
43	129-25008	Fitting-Cable Grip	1	1	
44	129-25006	Fitting-Straight Cord	1	1	
45	010-24821	Control Electric (3 Phase) (Main Parts Included in, 010-24821)	1	1	
	101-45008	Starter-Across the Line (3PH-60Hz)	1	1	
	105-05006	Transformer-Control 50VA	1	1	
	114-20023	Switch-Limit	1	1	
	152-15050	Kit-Pushbutton "Stop-Start"	1	1	
	123-75013	Terminal	1	1	
46	010-24820	Control Electric (1 Phase) (Main Parts Included in, 010-24820)	1	1	
	142-10000	Starter-Manual Single Phase	1	1	
	114-20023	Switch-Limit	1	1	
	123-75013	Terminal	1	1	
	010-24780	P.C. Board Electric Control	1	1	
	766-40009	Relay-Control	1	1	
	766-60008	Timer-Relay	1	1	
	010-24778	Cable-Limit Switch, Assembly	1	1	
(Alternate Thermal Overload Units)					
47	106-81019	460V 3 Phase, 60 Hz	Set of 3	3	
	106-81018	230V 3 Phase, 60 Hz	Set of 3	3	
	106-81002	115V 1 Phase, 60 Hz	1	1	
48	010-13467	Cable-Extension, Assembly (1 Phase)	1	1	
49	129-25011	Cable Grip	1	1	
50	030-13139	Grommet	2	2	
51	320-20808	Screw-Self Tap., Phillips Hd.	2	2	
52	129-12506	Clamp	2	2	
53	010-48590	Assy, Tube (Powerhead to Cooler)	1	1	
54	310-08120	Screw, RD. HD. Mach. #8- 32 x ¾" Lg. (Guard to Fan)	4	4	
55	229-10103	Fingerguard "Grainger" #4C551	2	2	
56	229-10104	Fan, Axial; 100 CFM @ 3000 RPM 115V; 60/50 Hz "Grainger" #4C549	1	1	
57	333-08001	Nut #8-32 (Fan to Bracket)	8	8	
58	310-08260	Screw, RD. HD. Mach. #8- 32 x 2¼ Lg. (Fan & Guard to Bracket)	4	4	
59	505-65015	Kit, Cooler to Bracket MTG, "Hayden" #K223	1	1	
60	030-53338	Bracket, Cooler and Fan Mounting	1	1	
61	306-12080	Screw, HHC ¼"-20 UNC x ¾ LG (Cooler Bracket to Frame)	2	2	
62	030-53339	Stand-Off-Fan	4	4	
63	505-65014	Cooler, Oil "Hayden" Model #10215S1	1	1	
64	442-08010	Nipple - X-Hvy. ½ x 1" Lg. (Cooler Inlet)	1	1	
65	474-11008	Elbow, Fern; "Parker" 10DBTX-S (Cooler Outlet & Inlet)	2	2	
66	229-10102	Cord, Fan "Grainger" #4C552	1	1	
67	442-08080	Nipple - X-Hvy. ½ x 2 Lg. (Cooler Outlet)	1	1	
68	129-25021	Fitting, Strain Relief, Straight "Heyco" #SR5M-3 (Bott. Elec. Encl.)	1	1	

POWERHEAD ASSEMBLY

1 & 2 TON

010-17796 Seal Kit - (1 Ton Powerhead)
(Items 59-61, 63-68, 81 & 85)

010-17797 Seal Kit - (2 Ton Powerhead)
(Items 59-61, 63-68, 81 & 85)



SHUTTLE CHECK VALVE-USED ON "A" PRESS WITHOUT TIMED REVERSAL OR QUALITY CONTROL CIRCUIT

NOTE:
 * These items are used on powerheads equipped with positive stop assemblies.
 ** These items are used only on the 2 ton powerhead.
 *** These items are used only on the 1 ton powerhead.

Figure 5

010-24819

POWERHEAD ASSEMBLY PARTS LISTS

ITEM	PART NO.	DESCRIPTION	QTY.		ITEM	PART NO.	DESCRIPTION	QTY.	
			1 TON	2 TON				1 TON	2 TON
1	010-01260	Pump Assembly	1	1					
2	010-02216	Valve - Solenoid	1	1					
3	*010-18229	Ram	1		46	358-12100	Screw - S.H.C. ¼-20 UNC x ¾ Lg.	4	
	010-14579	Ram - (WO/POS. Stop)	1			358-12080	Screw - S.H.C. ¼-20 UNC x ½" Lg.		
4	*010-18230	Ram		1	47	358-14160	Screw - S.H.C. 5/16 - 18 UNC x 1" Lg.	8	13
	010-14173	Ram - (WO/POS. Stop)		1					
5	030-12288	Cone - (Relief Valve)	1	1	48	*426-30200	Elbow - St. Pipe, ½ x 90°	1	1
6	036-13244	Spring - (Relief Valve)	1	1	49	431-90104	Plug - Soc. Pipe, 1/16 NPTF	7	8
7	030-18795	Ring - Male Support	1	1	50	431-90204	Plug - Soc. Pipe, ½ NPTF	10	4
8	030-18796	Spring	1	1	51	431-90404	Plug - Soc. Pipe, ¼ NPTF	3	4
9	030-18798	Seat	1	1		441-02090	Nipple - Std. Pipe, ½ Dia. x 2-¼" Lg.	1	1
10	030-18799	Sleeve	1	1	52	441-02040	Nipple - Std. Pipe, ½ Dia. x 1" Lg. (WO/POS. Stop)	1	1
11	030-18803	Shuttle	1	1					
12	030-18804	Seat-Shuttle	1	1	53	030-18805	Poppet (Shuttle Check Valve)	1	1
13	030-18805	Seat - (Check Valve)	1	1	54	492-15000	Fitting - 90° Tube	1	1
14	030-18807	Seat - (Relief Valve)	1	1	55	492-15001	Fitting - 90° Tube	1	1
15	030-18808	Spool - Unloader	1	1	56	492-15002	Fitting - 90° Tube	1	
16	030-18809	Sleeve - Shuttle	1	1		492-15001	Fitting - 90° Tube		1
17	030-69236	Spring - Shuttle	1	1	57	501-99684	Gauge - Pressure	1	1
19	030-18815	Spool (Relief Valve)	1	1	58	514-16002	Valve - ½" Angle, Needle	1	1
20	030-18817	Spring - Solenoid Valve	1	1	59	633-00001	Packing	1	1
21	030-18821	Cover - Solenoid Valve	1	1	60	*633-00011	Packing	1	
22	030-42308	Cap - Stuffing Box	1		61	671-00011	"O" Ring	1	1
	030-21113	Cap - Stuffing Box		1		62	030-18813	Spring (Shuttle Check Valve)	1
23	030-18810	Plate - Seal Retainer	1		63	671-00110	"O" Ring	1	1
	030-21118	Plate - Seal Retainer		1	64	671-00113	"O" RING	1	1
24	030-21119	Stud		2	65	671-00117	"O" Ring	2	2
25	030-21120	Follower Spring	1	1	66	671-00121	"O" Ring	1	1
26	030-21241	Pulley - Pump (60 Hz. Elect.)	1	1	67	671-00125	"O" Ring	1	1
	219-65002	Pulley - Pump (50 Hz. Elect.)	1	1					
27	030-21462	Plug - Retainer		1	68	*671-00135	"O" Ring	1	
28	030-21463	Poppet		1		671-00149	"O" Ring		1
29	030-18812	Spring, Unloader	1	1	69	*671-00215	"O" Ring	1	
30	030-22014	Spring (Diff'l. Check Valve)		1		*671-00217	"O" Ring		1
31	030-22142	Spring (Relief Valve)	1	1	70	488-14080	Plug - Bleeder	1	1
32	*030-28501	Cap - Protective	1	1	71	671-00113	"O" Ring		1
33	*030-28502	Insert - Stop	1	1	72	030-69237	Follower - Spring	1	1
34	*030-28562	Cap - Powerhead		1	73	225-92028	Spring	1	1
	030-21112	Cap - Powerhead (WO/POS. Stop)		1	74	201-10001	Ball - 5/16 Dia.	1	1
	*030-28505	Cap - Powerhead	1		75	030-69607	Support - Ball	1	1
	030-18792	Cap - Powerhead (WO/POS. Stop)		1	76	030-22117	Spring	1	1
35	*030-28503	Gland Packing	1		77	488-35021	Plug - Hex. Soc. & "O" Ring	1	1
	*030-28565	Gland Packing		1	78	*447-00015	Expansion Plug 1-¼"	1	1
36	*030-28504	Nut - Ram Stop	1		79	030-18806	Poppet (Diff'l. Check Valve)	1	
	*030-28566	Nut - Ram Stop		1	80	030-18814	Spring (Diff'l. Check Valve)	1	
37	*030-28606	Nut - Ex. Heavy	1		81	671-00910	"O" Ring	1	
	*030-28626	Nut - Ex. Heavy		1	82	488-14100	Plug	1	
38	030-18791	Body - Valve & Cylinder	1		83	*358-14120	Screw - S.H.C. 5/16-18 UNC x ¾" Lg.	1	
	030-41686	Body - Valve & Cylinder		1					
39	120-08116	Solenoid, 110V 60 HZ	1	1	84	*358-14220	Screw - S.H.C. 5/16-18 UNC x 1-¾" Lg.	1	
40	*316-10120	Screw-Flat Hd. S.H.C., 10-24 UNC x ¾" Lg.	3	3	85	671-00908	"O" Ring	1	1
41	310-08060	Screw - Rd. Hd. Mach., 8-32 UNC x ½" Lg.	1	1	86	358-16320	Screw-SHC	2	2
					87	620-50067	Seal-Shaft	1	1
42	311-12060	Screw - S.S. Cup Pt., ¼-20 UNC x ¾" Lg.	1		88	671-00145	"O" Ring	2	2
	311-12100	Screw - S.S. Cup Pt., ¼-20 UNC x ¾" Lg.		1	89	230-00910	Bearing-Needle	2	2
					90	221-10003	Key-#3 Woodruff	1	1
					91	324-20808	Key-Round	1	1
43	431-90604	Plug - ¾ Soc. Pipe (Flush)		3	92	030-18837	Spring-Compression	8	8
44	325-08120	Roll Pin - ½ Dia. x ¾" Lg.	1	1	93	030-18840	Vane	8	8
45	333-14001	Nut - Hex 5/16 - 18 UNC	1	1	94	356-33056	Ring-Retaining, External	2	2