



MULTIPRESS

For sales inquires, contact:
618.262.8666 | sales@multipress.com

FM Series C-Frame Presses

20 TO 300 TON CAPACITIES

Built for Your Application

C-frame presses, also commonly referred to as gap frame presses, are characterized by their unique frame style, resulting in the formation of a “C” around the bolster plate. MULTIPRESS’ FM Series of C-frame presses are available in a variety of bed sizes and tonnages, with custom designs available upon request. MULTIPRESS routinely builds customized models based on individual client application and production requirements. Our experienced engineering staff partners closely with clients to ensure their press is built to their specifications.

While the three sided access to the forming area is appealing (or required) for many applications, C-frame presses are typically best suited for applications requiring smaller bed sizes and lower tonnages.

MULTIPRESS equipment is always built with our signature rugged, heavy duty construction, designed to meet demanding production schedules with years of trouble-free operation.

Standard Features

- » Available in Single Pump “FMS” style or Double Pump “FMD” style (faster approach speed, lower horsepower)
- » Adjustable pressure from 20% to 100%
- » Adjustable stroke
- » Standard NFPA cylinder
- » Pump mounted out of the oil for ease of service
- » Manifold mounted valves
- » Speed change limit switch
- » Allen Bradley programmable logic controller
- » Open motor
- » NEMA- 12 control cabinet
- » IEC fused disconnect
- » 230/ 460 volts, 3 phase, 60 Hz
- » Dual pushbuttons (anti-tie-down)
- » Electric jog control for setup
- » Pressure reversal control of ram
- » Adheres to OSHA federal safety laws



**50-Ton Press shown with
optional light curtain,
fixed guarding & air cooler**

www.multipress.com

FMS & FMD MODELS	FM-20	FM-30	FM-40	FM-50	FM-75	FM-100	FM-150	FM-200			
Max Tonnage	20	30	40	50	75	100	150	200			
FMS Ram Speeds, IPM											
Advance	740	515	495	320	260	220	190	120			
Press	290	250	220	160	125	110	85	60			
Return	475	495	395	330	235	210	150	125			
Motor HP @ 1800 RPM	20	25	30	30	40	40	50	50			
FMD Ram Speeds, IPM						A	B	A	B	A	B
Advance	940	750	810	715	630	545	390	515	295	365	190
Press	90	60	100	60	45	45	30	45	20	40	15
Return	605	720	645	745	560	525	370	410	240	380	200
Motor HP @ 1800 RPM	10	10	20	20	20	30	20	40	20	50	20
Reservoir Capacity, gal	85	85	90	90	150	150	200	200			
Shipping Weight, lbs	3,800	4,200	8,500	8,700	9,400	12,100	17,150	19,500			

Control Choices

- » Single axis pressure or distance reversal with position speed change
- » Multiple Axis:
 - » Knock-out (ejector)
 - » Cushion: Single pressure
 - » Cushion: Proportional (cushion pressure is variable relative to ram position)

Electrical Configurations

- » Ranging from basic single cycle to automatic cycle with robotic interface
- » PLC control with operator push buttons and switches
- » PLC with touch screen
- » Touch screen with industrial computer/PLC
- » Windows driven touch screen with industrial computer/PLC
- » Explosive environment

Hydraulic Options

- » Standard directional valve type circuits
- » Open loop proportional
- » Closed loop proportional
- » Servo

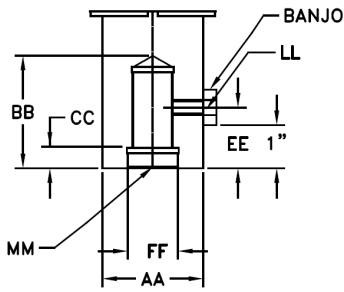
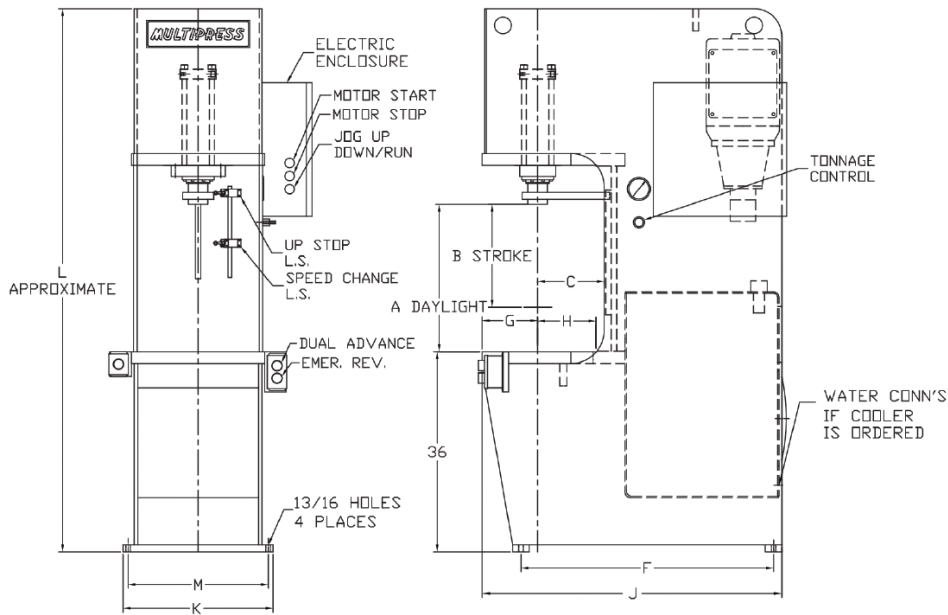
Quality Control

- » Achieved position (monitor)
- » Achieved force (monitor)
- » Achieved above within a "target window"
- » Separate monitor system
- » Storage of results

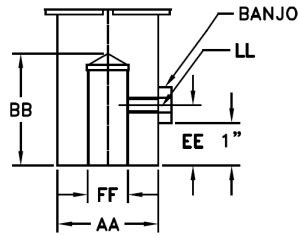
Operator Safety

- » Barrier guards
- » Siding guards
- » Light curtain
- » Presence sensing

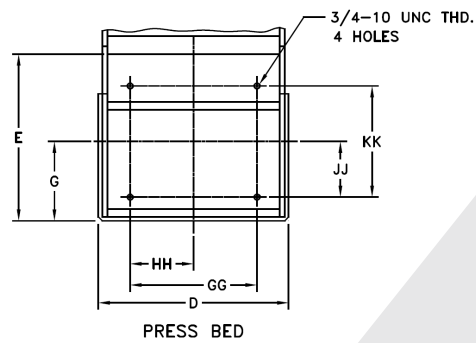




RAM END
20-100 TONS



RAM END
150 & 200 TONS



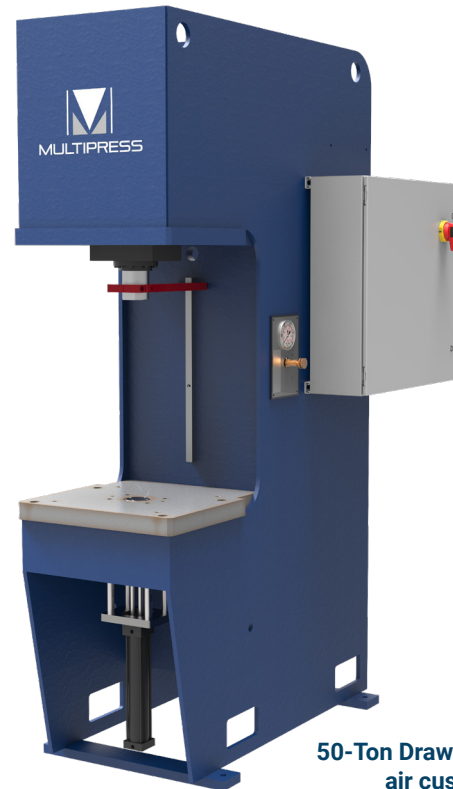
PRESS BED

MODEL	A	B	C	D	E	F	G	H	J	K	L	M
FM-20	20	12	12	24	21	40	10	11	54	27	91	25
FM-30	20	12	12	24	21	40	10	11	54	27	91	25
FM-40	20	12	12	26	21	40	10	11	54	29	92	27
FM-50	20	12	12	26	21	40	10	11	54	29	92	27
FM-75	30	18	14	34	25	44	12	13	66	38	105	36
FM-100	30	18	14	34	25	44	12	13	66	38	105	36
FM-150	36	18	16	36	27	59	12	15	75	40	115	38
FM-200	36	18	16	36	27	59	12	15	75	40	115	38

MODEL	AA	BB	CC	EE	FF	GG	HH	JJ	KK	LL	MM
FM-20	2.5	2.50	0.50	1.50	1.250/1.252	16	8	7	14	3/8"-16 UNC	1"-14 UNF
FM-30	3.5	2.50	0.50	1.50	1.250/1.252	16	8	7	14	3/8"-16 UNC	1"-14 UNF
FM-40	4	2.50	0.50	1.50	7.750/7.752	16	8	7	14	3/8"-16 UNC	1 1/2"-12 UNF
FM-50	5	3.00	0.62	1.50	2.250/2.254	16	8	7	14	3/8"-16 UNC	2"-8 UNF
FM-75	5.5	4.25	0.62	1.50	3.000/3.004	22	11	7	14	1/2"-13 UNC	2 1/2"-12 UNF
FM-100	7	6.00	0.62	1.62	3.750/3.754	22	11	10	20	1/2"-13 UNC	3 1/2"-12 UNF
FM-150	8	2.00	-	1.62	1.000/1.003	24	12	10	20	1/2"-13 UNC	See Detail Above
FM-200	10	2.00	-	1.62	1.000/1.003	24	12	10	20	1/2"-13 UNC	See Detail Above

Customizable Press Options

- » Stroke
- » Daylight
- » Load cells
- » Adjustable dwell cycle
- » Adjustable pressing speed
- » Additional daylight, stroke or throat
- » 2 and 4 post tool plates
- » Flanged fused disconnect
- » Limit switch reversal
- » Data acquisition and reporting
- » Recipe storage
- » T-slots
- » Die lifters
- » Die clamps
- » Dowel holes
- » Slug holes
- » Moving platens
- » Die cushions
- » Ejectors
- » Index table: 2,3,4,6,8 & 12 stop and servo
- » Shuttle tables (manual and powered)
- » Conveyors and Pick & Place



50-Ton Draw Press with air cushion

About MULTIPRESS

For more than 80 years, MULTIPRESS has been trusted as the premier provider of hydraulic press solutions. Whether you are interested in a standard machine, or a completely customized design, MULTIPRESS' experts take the time to select the right machine to fit your specifications and fulfill your production requirements. With experience in a wide variety of industries and applications, you can trust MULTIPRESS to bring reliability, productivity and precision to your operation. We proudly design and build every machine in the USA.

Top-Notch Support

MULTIPRESS is proud to have a service department that is equipped to provide many types of expert technical assistance, including telephone, email, and on-site help for your press.

With years of technical problem-solving experience, the MULTIPRESS Service Department stands ready to assist our customers with their service concerns. Our Service Department is committed to the maximum uptime and longevity of our customers' equipment investment. It is our assurance of prompt, reliable, and precise solutions to any concerns you may encounter in your day-to-day production.

118-014 V0821