



MULTIPRESS

For sales inquiries, contact:
618.262.8666 | sales@multipress.com

M6P Series Bench Presses

UP TO 20 TON CAPACITIES

Built for Your Application

The M6P series offers several models to suit a wide variety of applications up to 20 tons. All adjustments, pressure and stroke positions are easily modified at the operator's position at the front of the press.

MULTIPRESS equipment is always built with our signature rugged, heavy duty construction, designed to meet demanding production schedules with years of trouble-free operation. *Contact us today to learn how MULTIPRESS can design and build a press to suit your requirements!*

Standard Features

- » Pressure regen (fast approach until work is contacted)
- » PLC with 12 I/O
- » Standard NFPA cylinder
- » Vane pump mounted out of oil for ease of service
- » NEMA-4 enclosure (no disconnect)
- » Dual Opto-Touch controllers (anti-tie-down)
- » Open drip proof motor
- » Selector switch for jog up, jog down, run
- » 230/460 volts, 3 phase, 60 Hz operating voltage
- » 24 volt controls



www.multipress.com

M6P Series Bench Presses | Up to 20 Tons

M6P MODELS	M6P-5P*	M6P-6	M6P-8	M6P-8P*	M6P-12	M6P-15	M6P-20
Max Tonnage	5	6	8	8	12	15	20
Daylight, in	18	18	18	18	18	18	18
Stroke, in	12	12	12	12	12	12	12
Advanced Speed, IPM	600	430	440	585	420	420	216
Press Speed, IPM	235	210	165	140	165	165	106
Return Speed, IPM	390	415	270	190	270	270	208
Pump	4.5	4.5	6	4.5	9	9	9
Motor HP @ 1800 RPM	5	5	5	5	7.5	10	10
Cylinder:							
Bore Diameter, in	2.5	2.5	3.25	3.25	4	4	5
Rod Diameter, in	1.75	1.75	2	2	2.5	2.5	3.5
Positive Stop Rod Dia., in	1	-	-	1.375	-	-	-
Maximum Pressure, PSI	2425	2445	1929	2349	1910	2387	2038
Minimum Pressure, PSI	489	489	386	470	382	477	408
Reservoir Capacity, gal	16	16	16	16	23	23	23

Mounting Bench

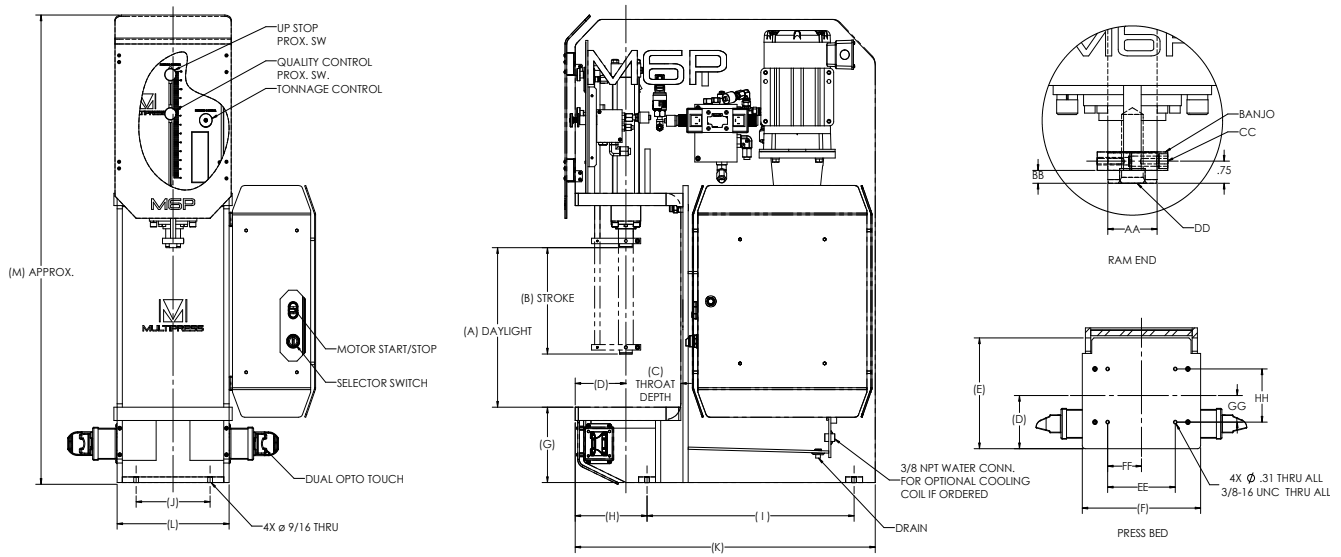
DIMENSIONS	L-R	F-B	H
M5P-6/8	13.25"	30"	27.625"
M5P-12/15	16.25"	35"	25.625"
M5P-20	17.25"	38"	24.625"

Index Table Presses

MULTIPRESS offers heavy duty, commercially available cam roller indexers. They are fast, accurate, and operate with heavy tooling and part weight. Indexers with 2, 3, 4, 6, 8, 12 and 24 stations can be installed on MULTIPRESS equipment. Output clutches are also available.



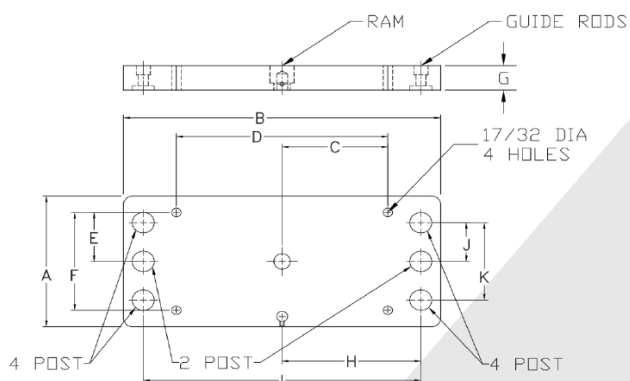
P* = Positive Stop Cylinder Assembly



MODEL	A	B	C	D	E	F	G	H	I	J	K	L	M
M6P-6	18	12	6.5	6	12.5	14	8.5	8.5	24.5	8.75	35.5	13.25	53
M6P-8	18	12	6.5	6	12.5	14	8.5	8.5	24.5	8.75	35.5	13.25	53
M6P-12/15	18	12	7.5	7	14.5	17	10.5	9	30.5	11.75	42	16.25	54.13
M6P-20	18	12	9.5	7	16.5	20	11.5	9.5	32.5	12.75	45	19.25	56.63

MODEL	AA	BB	CC	DD	EE	FF	GG	HH
M6P-6	1.75	0.4375	1/4-20	7/8-9	8	4	3	6
M6P-8	2.0	0.4375	1/4-20	7/8-9	8	4	3	6
M6P-12/15	2.5	0.4375	1/4-20	7/8-9	10	5	3	6
M6P-20	3.5	0.375	3/8-16	1/14	12	6	4	8

2 & 4 Post Guided Tool Plate										4 Post	
MODEL	A	B	C	D	E	F	G	H	I	J	K
M6P-6/8	8	18	6	12	3	6	1.5	7.875	15.75	2.375	4.7
M6P-12/15	10	21	6	12	3	6	1.5	9.125	18.25	3.625	7.25
M6P-20	12	22	17	14	4	8	1.5	19.625	19.25	4.250	8.5



Customizable Press Options

- » Pressing speed control (adjustable)
- » Knockout
- » Adjustable time dwell down
- » Load cell with digital readout
- » Mounting bench
- » Oil-to-water cooling coils with water control
- » Air-to-oil cooler with thermostat
- » Customized daylight, stroke, and throat sizes
- » Index table: 2, 3, 4, 6, 8, 12 & 24 stop
- » Servo index table with programmable stops
- » Faster and slower ram speeds
- » Light curtains and/or other guarding
- » Positive cylinder stop assembly
- » Quality control lower limit switch (allows operator to release buttons once ram is close to work to guarantee full press stroke)
- » Distance reversal switch
- » Tool plate - guided, attached to moving ram
- » Fused disconnect or circuit breaker
- » U-slot or thru hole in bed
- » Totally Enclosed Fan Cooled (TEFC) motor
- » Shuttle tables (manual or powered)
- » Conveyors and pick & place
- » Human Machine Interface (HMI) with custom screens
- » Variable Frequency Drive (VFD) as a low energy solution
- » Automation Integration
- » Additional I/O for auxiliary equipment
- » Multiple brands of PLC



MULTIPRESS

About MULTIPRESS

Since 1945, MULTIPRESS has been trusted as the premier provider of hydraulic press solutions. Whether you are interested in a standard machine, or a completely customized design, MULTIPRESS' experts take the time to select the right machine to fit your specifications and fulfill your production requirements. With experience in a wide variety of industries and applications, you can trust MULTIPRESS to bring reliability, productivity and precision to your operation. We proudly design and build every machine in the USA.

World-Class Support

MULTIPRESS is proud to have a service department that is equipped to provide many types of expert technical assistance, including telephone, email, and on-site help for your press.

With years of technical problem-solving experience, the MULTIPRESS Service Department stands ready to assist our customers with their service concerns. Our Service Department is committed to the maximum uptime and longevity of our customers' equipment investment. It is our assurance of prompt, reliable, and precise solutions to any concerns you may encounter in your day-to-day production.